



Govt. Industrial Training Institute, Jind (HR)-126102

राजकीय औद्योगिक प्रशिक्षण संस्थान, जीन्द (हरियाणा)।
(Ph. 01681-227805) Website: www.itijind.org.in Email ID: itijind@yahoo.com



To

M/s Vijender Contractor, Vill. Sindhiv Khara, Jind
Haryana-126102

M/s Ramphal Contractor, V.P.O. Khatkar, Distt. Jind
Haryana-126102

M/s Satyam Associates, Vill. Jhanj Kalan, Jind
Haryana-126102

Notice Board Copy

Memo No:- 2023-2026

Dated:- 4/9/2023.

Subject :-

Supply Of Quotation Under Strive Project.

The undersigned has to affect the Construct Concrete Work for as A Ramp MMV Trade & RAC Trade for Installing some Machine on Foundation in following Table & Drawing of work attach with the Quotation. You are requested to quote your lowest rates under sealed double cover for the same, the quotation should reach to this office on dated 15-08-2023 and opened on dated 18-08-2023 at 10.30 AM.

The Details make be given in your quotation complete in all respect. The GR/RR be sent direct to the undersigned, conditional quotation will not be acceptable. **GST specified including Item wise your Quotations.** The rate be shown item wise. The undersigned a reserve the rights to accept or reject any quotation without offering any reason there to.

Sr. No.	Name of Item	Qty
1	Ramp	1 No.
2	Foundation of Machine	1 No.

Terms and Condition:-

1. Installation & Work done on site.
2. Payment terms with in 30 days after physical delivery.
3. Material should be good quality.

Undersigned reserved the right to increase or decrease the quantity to accept or reject at any stage.

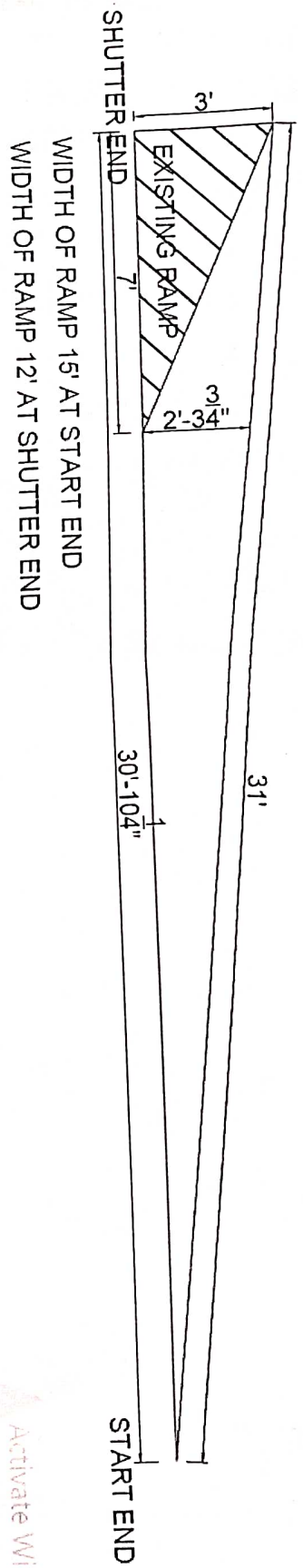
Principal
Govt. Industrial Training Institute
JIND

Satish
Jind
RAC INST.

Vishal
RAC INST.

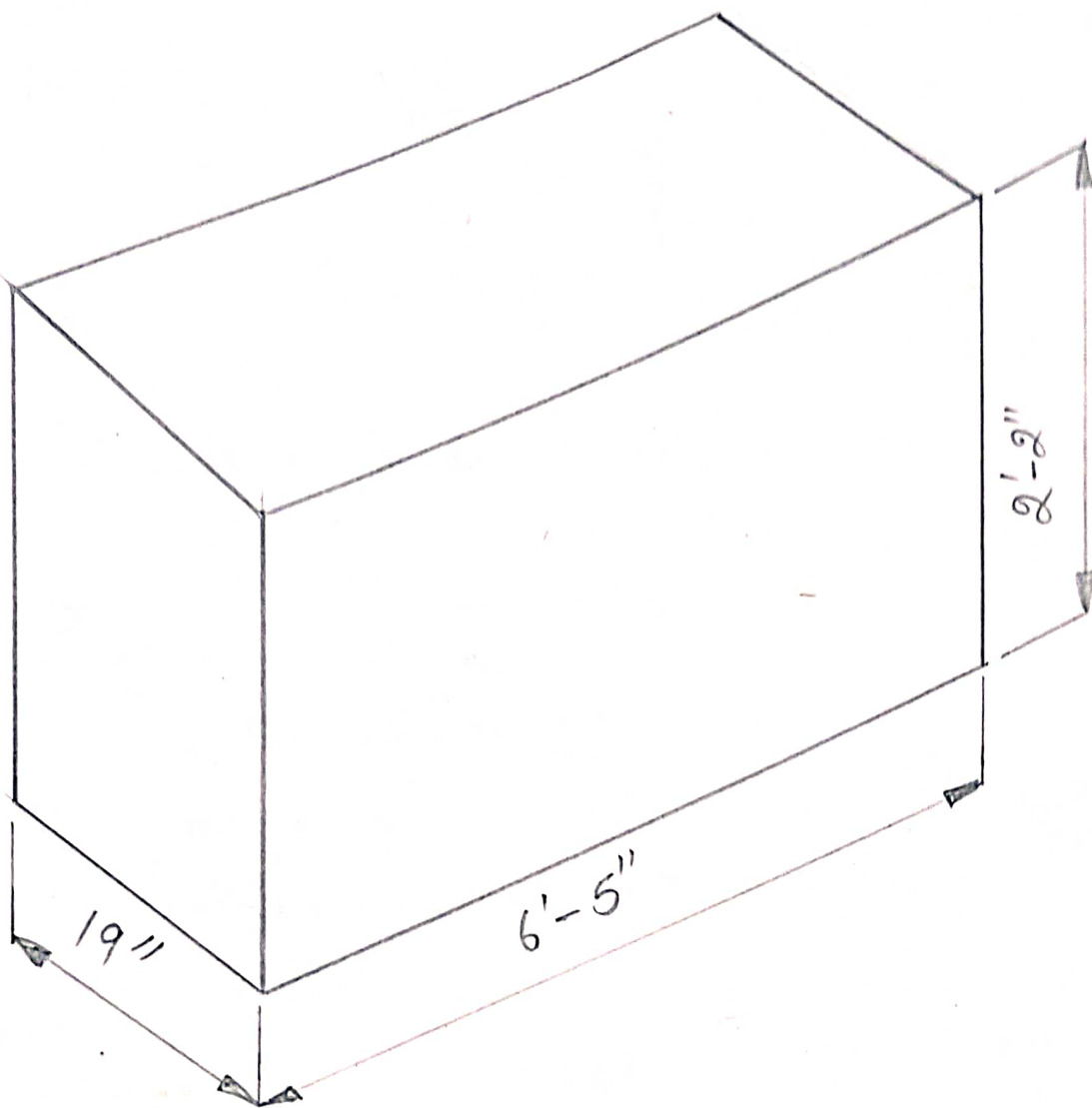
Rohit
Dimech. Ind

Ramp Extension of mmv Work Shop



Activate Win

Foundation Drawing



1
J. K. RAC / not